

# Linch / Hitch Pins:

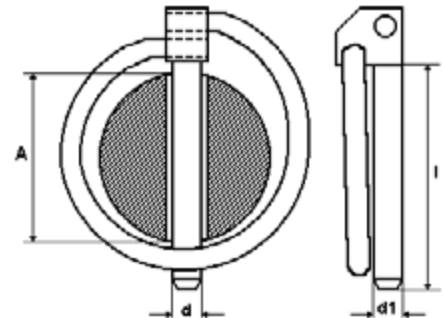
Commonly used where the application requires a quick way to be attached to another component.

## Quick Release Linch Pins

Technifast supply linch pins in either mild steel, with spring steel clips and finished in zinc with yellow chromate or in stainless steel 304.

These type of pins are commonly used as trailer hitch pins for agricultural and marine use, and to accommodate all applications, we stock a variety of sizes.

Linch pins are precision fasteners used to prevent a wheel or other part from sliding off the axle upon which it is riding.



Materials:

- Mild Steel, Finished In Zinc With Yellow Chromate
- Stainless Steel 304

Pin Diameter 'd'	Pin Diameter* 'd1'	Pin Length 'l'
4.5mm	4.5mm	42mm
6.0mm	6.0mm	
7.0mm	6.0mm	
8.0mm	7.0mm	
9.0mm	7.5mm	
10.0mm	8.0mm	
11.0mm	9.0mm	

Linch pins, also commonly termed as quick release pins, employ a locking ring that can be flipped open when installing, and snapped closed to lock the pin into place.

These quick locking pins do not require cotter pins and are faster to use than either a clevis pin or cotter pin. Another advantage is that the ring can double as a grip to pull for easy removal of the pin.



[View Linch Pin Range](#)

[Request A Quote](#)

[Visit Our Website](#)

[Join Our Community](#)

**TECHNIFAST**

North Folds Road  
Oakley Hay Industrial Estate  
Corby, Northants, NN18 9AT

+44 (0) 1536 461140  
sales@technifast.co.uk  
www.technifast.co.uk



\*In pin sizes 4.5mm and 6mm, there is no flat so 'd' is the same as 'd1'