

# Shaft Locking Pins:

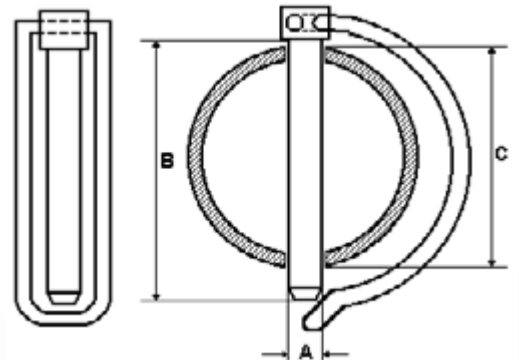
Commonly used where the application requires a quick way to be attached to another component.

## Shaft Locking Pins

Shaft Locking Pins are available in mild steel finished in zinc with yellow chromate, or stainless steel 304, with a spring steel clip (or 'keep').

These type of linkage pins are commonly used in the agricultural industry or where the application requires a quick and easy way to be attached to another component.

The headed part of the pin has a wire loop attached in order to retain or to remove the pin. Shaft locking pins are also often referred to as wire loop pins.



## Size Ranges

Pin Diameter 'A'	Pin Length 'B'	Pin Length 'C'
4.5mm	32mm	28mm
4.5mm	40mm	36mm
6.0mm	32mm	28mm
6.0mm	40mm	36mm
6.0mm	45mm	40mm
8.0mm	40mm	36mm
8.0mm	45mm	40mm
8.0mm	50mm	45mm
8.0mm	60mm	55mm
10.0mm	40mm	36mm
10.0mm	50mm	45mm
10.0mm	60mm	55mm
11.0mm	45mm	40mm
11.0mm	55mm	50mm



Materials:

- Mild Steel, Finished In Zinc With Yellow Chromate
- Stainless Steel 304
- GEOMET Finish Is Available On Shaft Locking Pins

[View Shaft Locking Pin Range](#)

[Request A Quote](#)

[Visit Our Website](#)

[Join Our Community](#)

**TECHNIFAST**

North Folds Road  
Oakley Hay Industrial Estate  
Corby, Northants, NN18 9AT

+44 (0) 1536 461140  
sales@technifast.co.uk  
www.technifast.co.uk

